

VIALS



# VERA S



Roads/  
Urban roads



Residential  
streets



Parking



Logistics  
platforms



Stations



Bicycle lanes

# VERAHISPALED



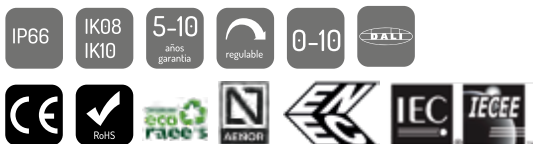


## New generation of street lighting with an unbeatable price/performance ratio

### COST EFFECTIVENESS AND EFFICIENCY

The Vera series is a compact luminaire, with a simplified line, ideal for residential streets and urban roads of low to moderate speed.

Lighting solution with maximum profitability and fast amortization. It allows to reduce energy costs and enjoy all the advantages of LED lighting, with a very low investment.



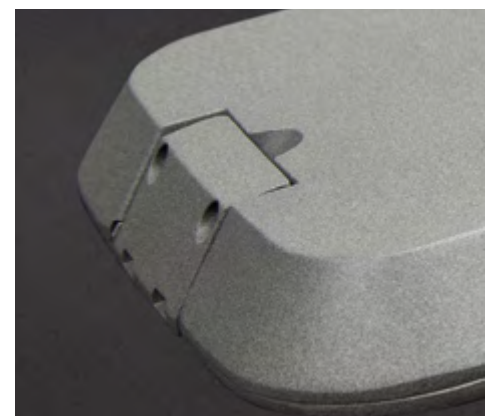
#### TECHNICAL DATA SHEET

ENEC 01; CE; RoHS; EN 60598-1:2009 + A1:2009; EN 60598-2-3:2003 + Corr:2005 + A1:2011; EN 62031:2009 + A1:2011; EN 62471:2008; IES LM-80; EN 61347-1:2008; EN 61347-2-13:2006; EN 55015:2006 + A1:2007 + A2:2009; EN 61547:2009; EN 61000-3-2:2006 + A1:2009 + A2:2009; EN 61000-3-3:2008; EN 61000-4-2,3,4,5,6,8,11; UL 8750; IEC 60598-1:2008; IEC 60598-2-3:2002; IEC 62031:2008; IEC 62471:2008; IES LM-80; IEC 61347-1:2008; IEC 61347-2-13:2006; IEC 55015:2006; + A1:2007 + A2:2009; IEC 61547:2009; IEC 61000-3:2006; A1:2009 + A2:2009; IEC 61000-3-3:2008; IEC 6100-4-2,3,4,5,6,8,11; UL 8750;

The Vera Series offers solutions of up to 60W of power, guaranteeing optimum results in all types of streets and urban roads with minimum investment costs. Its die-cast aluminum structure with flat cover, and the arrangement of independent spaces for optical block and driver, provide excellent heat dissipation, guaranteeing a useful life of more than 100,000 hours of operation.

It is suitable for post-top or side-entry mounting, allowing tilt adjustment to adapt perfectly to the lighting needs of each track. Its lightweight appearance and tool-free opening makes it easy to install at height for the installer, with the option of an electrical disconnection system during opening, which offers maximum safety when handled. This road luminaire offers multiple lighting packages, with a wide range of photometric distributions and operating currents.

It allows plug & play installation of NEMA / ZHAGA socket compatible devices, ensuring easy integration with point-to-point remote management systems.



# TECHNICAL DATA SHEET

# VERA S

## VERA\*

## SPECIFICATIONS

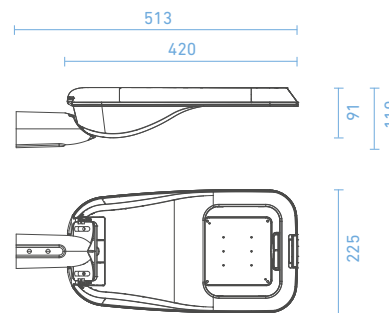
Structure	Aluminum injection
Diffuser	Tempered glass/polycarbonate
Dimensions and weight	513x225x110 mm / 3.3 Kg
Anchoring systems	Post-top and side Ø up to 65 mm with 0 to 90° rotation
Degree of protection	IP66, IK08 (IK10 optional)
Warranty	5/7/10 years
Certification	CE; RoHS
Safety class	I/II
Opening	Tool-free, with optional electrical disconnection.

## OPTIONAL CONTROL SYSTEMS

Programmable regulation of up to 8 levels  
 Time programming module  
 (35 programs | reprogrammable from CM | winter-summer distinction)  
 Point to point remote management RFLight<sub>2</sub>  
 DALI2/D4i, 1 -10V  
 CLO (constant light level)  
 Dimming at the head-end  
 Control line dimming  
 Photocell  
 Socket NEMA 7 / Zhaga book 18  
 Others: PLC, GPRS, 3G, NFC, NFC, Bluetooth, Narrow Band 5G

## FEATURES\*

Power	10W-60W
Efficiency lm/W	Up to 170 lm/W
Input voltage	90-305 V / ~ 50-60Hz (depending on model)
Power supply	PF > 0.95, Efficiency > 88% (depending on model)
Lifetime	>100,000 hours (L90B10)
LED Type	Cree®, Nichia®, Osram®
Color temperature	1,800 K - 6,000 K / PC-Amber / RGB
Minimum CRI	70/80
FHS	0%



## VERSIONS\*

### ECO

### STANDARD

### PREMIUM

- Included
- Optional
- ✗ Not available

## OVERVOLTAGE PROTECTION

10 kV (en f. alim.)	●	✗	✗
10 kV (SPD ext.)	✗	●	●
20 kV (SPD ext.)	✗	○	○

## REGULATION

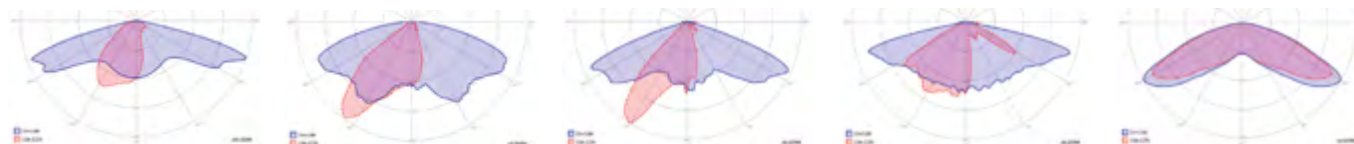
8 Levels	●	●	✗
MPH (reprogrammable)	✗	○	●

## OPERATING CURRENT

500 mA	○	○	●
700 mA	○	●	○
1000 mA	●	○	○

## OPTICAL BLOCK

(Consult for more optical options)



### ROAD I

Recommended distribution on tracks with extreme spacings up to 6 times the pole height

### ROAD II

Recommended layout for roadways with a track width similar to the height of the pole

### ROAD III

Recommended layout for roadways with up to two lanes with spacings up to 4 times the pole height.

### ROAD IV

Recommended distribution on tracks with high clearances of up to 5 times the height of the pole

### URBAN 360

Recommended distribution for medium-height omnidirectional lighting, such as parks and squares

\* Specifications are subject to change



GALICIA  
LARACHA CITY COUNCIL (A CORUÑA)  
Installation of Hispaled's VERA luminaires.