

VIALS



TURKANA M



Highways
and highways



Roads/
Urban roads



Parking



Logistics
platforms



Stations

TURKANAMHISPALED



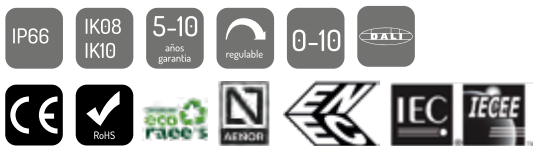


Avant-garde vials with high performance and state-of-the-art LED technology

DESIGN AND PERFORMANCE

The Turkana M series is a functional road type luminaire that guarantees maximum performance on highways, freeways, roads, avenues and other main roads in the city.

Elements such as its excellent design, its high quality finish or the integration of remote management systems with easy connectivity, make it a benchmark in the street lighting market.



TECHNICAL DATA SHEET

ENEC 01; CE, RoHS; EN 60598-1:2009 + A1:2009; EN 60598-2-3:2003 + Corr:2005 + A1:2011; EN 62031:2009 + A1:2011; EN 62471:2008; IES LM-80; EN 61347-1:2008; EN 61347-2-13:2006; EN 55015:2006 + A1:2007 + A2:2009; EN 61547:2009; EN 61000-3-2:2006 + A1:2009 + A2:2009; EN 61000-3-3:2008; EN 61000-4-2,3,4,5,6,8,11; UL 8750; IEC 60598-1:2008; IEC 60598-2-3:2002; IEC 62031:2008; IEC 62471:2008; IES LM-80; IEC 61347-1:2008; IEC 61347-2-13:2006; IEC 55015:2006; + A1:2007 + A2:2009; IEC 61547:2009; IEC 61000-3:2006; A1:2009 + A2:2009; IEC 61000-3-3:2008; IEC 6100-4-2,3,4,5,6,8,11; UL 8750;

The TKM model offers solutions of up to 180W of power, guaranteeing maximum lighting performance on roads of any type (highways, avenues, etc.). Its die-cast aluminum structure with flat cover, and the arrangement of independent spaces for the optical compartment and driver, provide excellent heat dissipation and reduced weight of the assembly, guaranteeing a useful life of more than 100,000 hours of operation.

It is suitable for post-top or side-entry mounting, allowing tilt adjustment to adapt perfectly to the lighting needs of each track. The tool-free opening of the luminaire facilitates mounting at height for the installer, optionally allowing an electrical disconnection system on opening that offers maximum safety when being handled.

It offers multiple lighting packages, with a wide range of photometric distributions and operating currents. Allows plug & play installation of NEMA / ZHAGA socket compatible devices, ensuring easy integration with point-to-point remote management systems.



TECHNICAL DATA SHEET

TURKANA M

TURKANA M*

SPECIFICATIONS

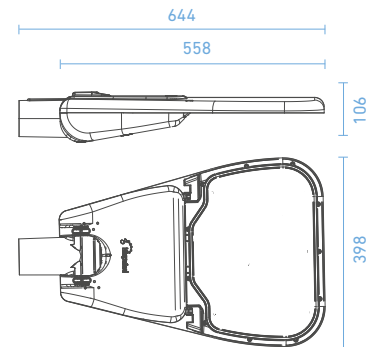
Structure	Aluminum injection
Diffuser	Tempered glass/polycarbonate
Dimensions and weight	644x398x106 mm / 9 Kg
Anchoring systems	Post-top and side
	Ø up to 65 mm with 0 to 90° rotation
Degree of protection	IP66, IK08 (Optional IK10)
Warranty	5/7/10 years
Certification	CE; RoHS
Safety class	I/II
Opening	Tool-free, with optional electrical disconnection.

OPTIONAL CONTROL SYSTEMS

Programmable regulation of up to 8 levels
 Time programming module
 (35 progrs. | reprogrammable from CM | Winter-Summer distinction)
 Point-to-point remote management RFLight₂
 DALI2/D4i, 1 -10V
 CLO (constant light level)
 Head-end regulation
 Control line regulation
 Photocell
 Socket NEMA 7 / Zhaga book 18
 Otros: PLC, GPRS, 3G, NFC, Bluetooth, Narrow Band 5G

FEATURES*

Power	40W-200W
Efficiency lm/W	Up to 170 lm/W
Input voltage	90-305 V / ~ 50-60Hz (depending on model)
Power supply	PF > 0.95, Efficiency > 88% (depending on model)
Lifetime	>100,000 hours (L90B10)
LED Type	Cree®, Nichia®, Osram®, Osram®
Color temperature	1,800 K - 6,000 K / PC-Amber / RGB
Minimum CRI	70/80
FHS	0%



VERSIONS*

ECO

STANDARD

PREMIUM

- Included
- Optional
- ✗ Not available

OVERVOLTAGE PROTECTION

10 kV (en f. alim.)	●	✗	✗
10 kV (SPD ext.)	✗	●	●
20 kV (SPD ext.)	✗	○	○

REGULATION

8 Levels	●	●	✗
MPH (reprogrammable)	✗	○	●

OPERATING CURRENT

500 mA	○	○	●
700 mA	○	●	○
1000 mA	●	○	○

OPTICAL BLOCK

(Consult for more optical options)



ROAD I

Recommended distribution on tracks with extreme spacings up to 6 times the pole height

ROAD II

Recommended layout for roadways with a track width similar to the height of the height of the pole

ROAD III

Recommended layout for roadways with up to two lanes with spacings up to 4 times the pole height.

ROAD IV

Recommended distribution on tracks with high clearances of up to 5 times the height of the pole

URBAN 360

Recommended distribution for medium-height omnidirectional lighting, such as parks and squares

* Specifications are subject to change



ANDALUSIA
CITY COUNCIL OF LA LÍNEA DE LA CONCEPCIÓN (CÁDIZ)
Installation of TURKANA luminaires of Hispaled