

ORNAMENTALS



SENDA S



Residential streets



Pedestrian spaces



Parks and gardens



Bicycle lanes

SENDASHISPALED



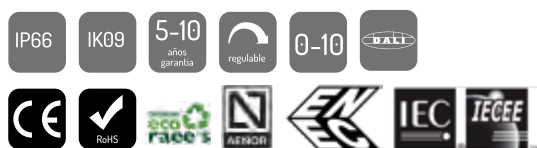


Urban luminaire with modern design, ideal for ambient lighting

EFFICIENCY AND MODERNITY

The Senda S series is a decorative luminaire with a modern design and simple lines, which makes it an optimal solution for ambient lighting.

Innovative design and efficiency are combined in an urban luminaire that offers the best ratio between savings and investment in ambient lighting, thanks to its affordable price and high performance.



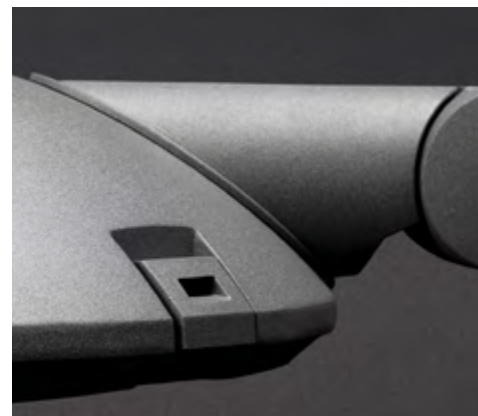
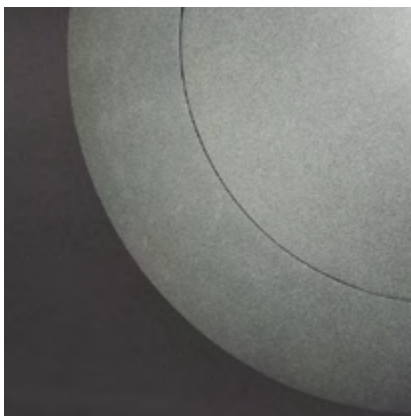
TECHNICAL DATA SHEET

ENEC 01; CE, RoHS; EN 60598-1:2009 + A1:2009; EN 60598-2-3:2003 + Corr:2005 + A1:2011; EN 62031:2009 + A1:2011; EN 62471:2008; IES LM-80; EN 61347-1:2008; EN 61347-2-13:2006; EN 55015:2006 + A1:2007 + A2:2009; EN 61547:2009; EN 61000-3-2:2006 + A1:2009 + A2:2009; EN 61000-3-3:2008; EN 61000-4-2,3,4,5,6,8,11; UL 8750; IEC 60598-1:2008; IEC 60598-2-3:2002; IEC 62031:2008; IEC 62471:2008; IES LM-80; IEC 61347-1:2008; IEC 61347-2-13:2006; IEC 55015:2006 + A1:2007 + A2:2009; IEC 61547:2009; IEC 61000-3-2:2006 + A1:2009 + A2:2009; IEC 61000-3-3:2008; IEC 61000-4-2,3,4,5,6,8,11; UL 8750;

The SNS model offers solutions of up to 60W of power, guaranteeing optimum results in environmental applications, such as lighting of parks, squares, avenues, and other urban spaces. Its hemispherical structure of injected aluminum and its high degree of watertightness and protection against impacts, make it an anti-vandalism and durable product, guaranteeing a useful life of the components of more than 100,000 hours of operation.

It is suitable for post-top or side-entry mounting, allowing tilt adjustment to adapt perfectly to the lighting needs of each track. Its tool-free opening facilitates mounting at height for the installer, optionally allowing an electrical disconnections system on opening that offers maximum safety when being handled.

It offers multiple lighting packages, with a wide range of photometric distributions and operating currents. It also allows "plug & play" installation of NEMA / ZHAGA socket compatible devices, which guarantees easy integration with point-to-point remote management systems.



TECHNICAL DATA SHEET

SENDA S

SENDA S*

SPECIFICATIONS

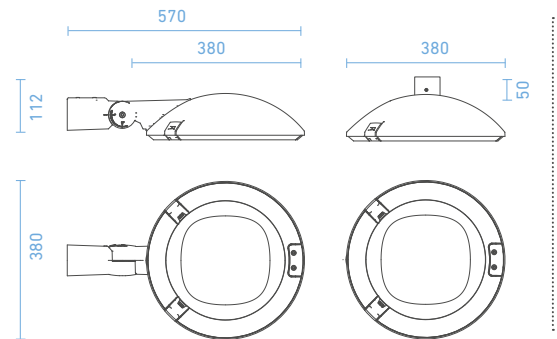
Structure	Aluminum injection
Diffuser	Tempered glass
Dimensions and weight	H 112 mm 380 mm / 4Kg
Anchoring systems	Post-top, lateral, suspended and catenary Ø up to 60 mm with 0 to 90° rotation
Degree of protection	IP66, IK09
Warranty	5/7/10 years
Certification	CE; RoHS
Safety class	I/II
Opening	Tool-free, with optional electrical disconnection.

OPTIONAL CONTROL SYSTEMS

Programmable regulation of up to 8 levels
 Time programming module
 (35 programs | reprogrammable from CM | winter-summer distinction)
 Point to point remote management RFLight2
 DALI2/D4i, 1 -10V
 CLO (constant light level)
 Dimming at the head-end
 Control line dimming
 Photocell
 Socket NEMA 7 / Zhaga book 18
 Others: PLC, GPRS, 3G, NFC, NFC, Bluetooth, Narrow Band 5G

FEATURES*

Power	10W-60W
Efficiency lm/W	Up to 170 lm/W
Input voltage	90-305 V / ~ 50-60Hz (depending on model)
Power supply	PF > 0.95, Efficiency > 88% (depending on model)
Lifetime	>100,000 hours (L90B10)
LED Type	Cree®, Nichia®, Osram®
Color temperature	1,800 K - 6,000 K / PC-Amber / RGB
Minimum CRI	70/80
FHS	0%



VERSIONS*

ECO

STANDARD

PREMIUM

- Included
- Optional
- ✗ Not available

OVERVOLTAGE PROTECTION

10 kV (en f. alim.)	●	✗	✗
10 kV (SPD ext.)	✗	●	●
20 kV (SPD ext.)	✗	○	○

REGULATION

8 Levels	●	●	✗
MPH (reprogrammable)	✗	○	●

OPERATING CURRENT

500 mA	○	○	●
700 mA	○	●	○
1000 mA	●	○	○

OPTICAL BLOCK

(Consult for more optical options)



ROAD I

Recommended distribution on tracks with extreme spacings up to 6 times the pole height

ROAD II

Recommended layout for roadways with a track width similar to the height of the pole

ROAD III

Recommended layout for roadways with up to two lanes with spacings up to 4 times the pole height.

ROAD IV

Recommended distribution on tracks with high clearances of up to 5 times the height of the pole

URBAN 360

Recommended distribution for medium-height omnidirectional lighting, such as parks and squares

* Specifications are subject to change



CASTILLA Y LEÓN
NAVA DE LA ASUNCIÓN CITY COUNCIL (SEGOVIA)
Installation of Hispaled SENDA luminaires.