

ORNAMENTALS



SENDAM



Roads/  
Urban roads



Residential  
streets



Pedestrian  
spaces



Parks  
and gardens



Bicycle lanes

SENDAMHISPALED





## Urban luminaire with modern design, ideal for ambient lighting

### EFFICIENCY AND MODERNITY

The Senda M series is a decorative luminaire with a modern design and simple lines, which makes it an optimal solution for ambient lighting.

Innovative design and efficiency are combined in an urban luminaire that offers the best ratio between savings and investment in ambient lighting, thanks to its affordable price and high performance.



#### TECHNICAL DATA SHEET

ENEC 01; CE, RoHS; EN 60598-1:2009 + A1:2009; EN 60598-2-3:2003 + Corr:2005 + A1:2011; EN 62031:2009 + A1:2011; EN 62471:2008; IES LM-80; EN 61347-1:2008; EN 61347-2-13:2006; EN 55015:2006 + A1:2007 + A2:2009; EN 61547:2009; EN 61000-3-2:2006 + A1:2009 + A2:2009; EN 61000-3-3:2008; EN 61000-4-2,3,4,5,6,8,11; UL 8750; IEC 60598-1:2008; IEC 60598-2-3:2002; IEC 62031:2008; IEC 62471:2008; IES LM-80; IEC 61347-1:2008; IEC 61347-2-13:2006; IEC 55015:2006 + A1:2007 + A2:2009; IEC 61547:2009; IEC 61000-3-2:2006 + A1:2009 + A2:2009; IEC 61000-3-3:2008; IEC 61000-4-2,3,4,5,6,8,11; UL 8750;

The SNM model offers solutions of up to 100W of power, guaranteeing optimum results in environmental applications, such as lighting of parks, squares, avenues, and other urban spaces. Its hemispherical structure of injected aluminum and its high degree of watertightness and protection against impacts, make it an anti-vandal and durable product, guaranteeing a useful life of the components of more than 100,000 hours of operation.

It is suitable for post-top or side-entry mounting, allowing inclination adjustment to adapt perfectly to the lighting needs of each track. It can be opened without tools, which facilitates installation at height for the installer, optionally allowing an electrical disconnection system when opening, which offers maximum safety when being handled.

It offers multiple lighting packages, with a wide range of photometric distributions and operating currents. It also allows "plug & play" installation of NEMA / ZHAGA socket compatible devices, which guarantees easy integration with point-to-point remote management systems.



# TECHNICAL DATA SHEET

# SENDA M

## SENDA M\*

## SPECIFICATIONS

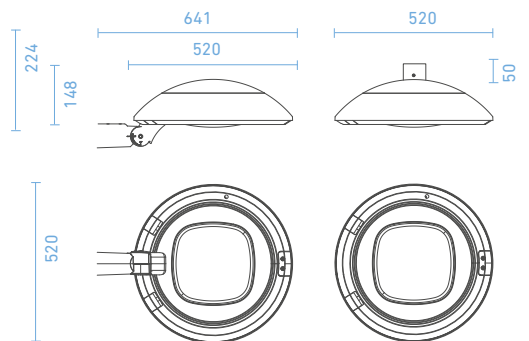
Structure	Aluminum injection
Diffuser	Tempered glass
Dimensions and weight	H 224 mm 520 mm / 7Kg
Anchoring systems	Post-top, lateral, suspended and catenary Ø up to 60 mm with 0 to 90° rotation
Degree of protection	IP66, IK09
Warranty	5/7/10 years
Certification	CE; RoHS
Safety class	I/II
Opening	Tool-free, with optional electrical disconnection.

## OPTIONAL CONTROL SYSTEMS

Programmable regulation of up to 8 levels  
 Time programming module  
 (35 programs | reprogrammable from CM | winter-summer distinction)  
 Point to point remote management RFLight2  
 DALI2/D4i, 1 -10V  
 CLO (constant light level)  
 Dimming at the head-end  
 Control line dimming  
 Photocell  
 Socket NEMA 7 / Zhaga book 18  
 Others: PLC, GPRS, 3G, NFC, NFC, Bluetooth, Narrow Band 5G

## FEATURES\*

Power	10W-100W
Efficiency lm/W	Up to 170 lm/W
Input voltage	90-305 V / ~ 50-60Hz (depending on model)
Power supply	PF > 0.95, Efficiency > 88% (depending on model)
Lifetime	>100,000 hours (L90B10)
LED Type	Cree®, Nichia®, Osram®
Color temperature	1,800 K - 6,000 K / PC-Amber / RGB
Minimum CRI	70/80
FHS	0%



## VERSIONS\*

### ECO

### STANDARD

### PREMIUM

- Included
- Optional
- ✗ Not available

## OVERVOLTAGE PROTECTION

10 kV (en f. alim.)	●	✗	✗
10 kV (SPD ext.)	✗	●	●
20 kV (SPD ext.)	✗	○	○

## REGULATION

8 Levels	●	●	✗
MPH (reprogrammable)	✗	○	●

## OPERATING CURRENT

500 mA	○	○	●
700 mA	○	●	○
1000 mA	●	○	○

## OPTICAL BLOCK

(Consult for more optical options)



### ROAD I

Recommended distribution on tracks with extreme spacings up to 6 times the pole height

### ROAD II

Recommended layout for roadways with a track width similar to the height of the height of the pole

### ROAD III

Recommended layout for roadways with up to two lanes with spacings up to 4 times the pole height.

### ROAD IV

Recommended distribution on tracks with high clearances of up to 5 times the height of the pole

### URBAN 360

Recommended distribution for medium-height omnidirectional lighting, such as parks and squares

\* Specifications are subject to change



ANDALUSIA  
VILCHES CITY COUNCIL (JAÉN)  
Installation of Hispaled SENDA luminaires.