

ORNAMENTALS



FERNANDINO



Historical and
monumental



Residential
streets



Pedestrian areas



Parks
and gardens

FERNANDINOHISPALED





Classic lantern for illumination of singular areas and historical centers

ELEGANCE AND STRENGTH

Hispaled's Fernandino series is a classic style luminaire, ideal for lighting unique historical areas thanks to its majestic and traditional design.

Vandal-resistant design and state-of-the-art LED technology are combined in a lantern that remains unalterable over time, making it a benchmark in the lighting of monumental and historical spaces.



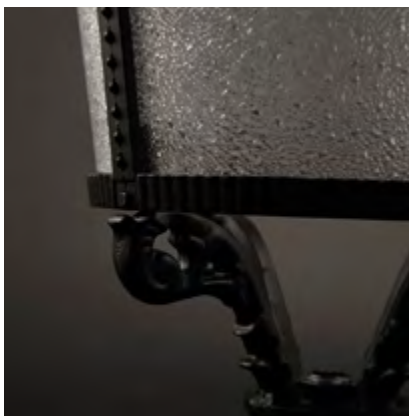
TECHNICAL DATA SHEET

CE; RoHS; EN 60598-1:2009 + A11:2009; EN 60598-2-3:2003 + Corr:2005 + A1:2011; EN 62031:2009 + A1:2011; EN 62471:2008; IES LM-80; EN 61347-1:2008; EN 61347-2-13:2006; EN 62384:2006/A1:2010; EN 55015:2006 + A1:2007 + A2:2009; EN 61547:2009; EN 61000-3-2:2006 + A1:2009 + A2:2009; EN 61000-3-3:2008; EN 61000-4-2,3,4,5,6,8,11; UL 8750; IEC 60598-1:2008; IEC 60598-2-3:2002; IEC 62031:2008; IEC 62471:2008; IES LM-80; IEC 61347-1:2008; IEC 61347-2-13:2006; IEC 55015:2006 + A1:2007 + A2:2009; IEC 61547:2009; IEC 61000-3-2:2006 + A1:2009 + A2:2009; IEC 61000-3-3:2008; IEC 61000-4-2,3,4,5,6,8,11; UL 8750;

It offers solutions of up to 80W of power, allowing a combination of elegance and efficiency in monumental areas and historical centers, where its classic and timeless design never goes out of fashion.

Its die-cast aluminum structure and its high degree of watertightness and impact protection make it an anti-vandal and durable product, guaranteeing a component life of more than 100,000 hours of operation. It is suitable for mounting on columns, wall brackets or suspended.

This classic style lantern offers multiple light packages, with a wide range of photometric distributions and operating currents. Likewise, the closure of the optical compartment offers two different types of finishes, transparent or satin. The former guarantees maximum efficiency in lm/W and the latter significantly improves visual comfort for pedestrians and drivers, giving this lantern an element of extraordinary personality, unique in the market. There is the possibility of incorporating transparent or translucent side diffusers, honeycomb diffusers, etc.



TECHNICAL DATA SHEET

FERNANDINO

FERNANDINO*

SPECIFICATIONS

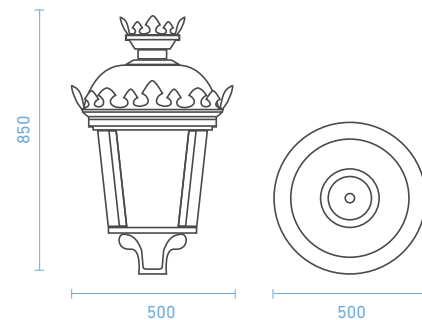
Structure	Aluminum injection
Optical Diffuser	High-strength PC, anti-U.V. treatment.
Lateral diffusers	Optional (Honeycomb/transparent/translucent)
Dimensions and weight	H 850 mm Ø 500 mm / 8Kg
Anchoring systems	Column end, lever or suspended
Degree of protection	IP66/IK09/IK10
Warranty	5/7/10 years
Certification	CE; RoHS
Safety class	I/II

OPTIONAL CONTROL SYSTEMS

Programmable regulation of up to 8 levels
 Time programming module
 (35 programs | reprogrammable from CM | winter-summer distinction)
 Point to point remote management RFLight₂
 DALI2/D4i, 1 -10V
 CLO (constant light level)
 Dimming at the head-end
 Control line dimming
 Photocell
 Socket NEMA 7 / Zhaga book 18
 Others: PLC, GPRS, 3G, NFC, NFC, Bluetooth, Narrow Band 5G

FEATURES*

Power	10W-80W
Efficiency lm/W	Up to 170 lm/W
Input voltage	90-305 V / ~ 50-60Hz (depending on model)
Power supply	PF > 0.95, Efficiency > 88% (depending on model)
Lifetime	>100,000 hours (L90B10)
LED Type	Cree®, Nichia®, Osram®
Color temperature	1,800 K - 6,000 K / PC-Amber / RGB
Minimum CRI	70/80
FHS	0%



VERSIONS*

ECO

STANDARD

PREMIUM

- Included
- Optional
- ✕ Not available

OVERVOLTAGE PROTECTION

10 kV (en f. alim.)	●	✕	✕
10 kV (SPD ext.)	✕	●	●
20 kV (SPD ext.)	✕	○	○

REGULATION

8 Levels	●	●	✕
MPH (reprogrammable)	✕	○	●

OPERATING CURRENT

500 mA	○	○	●
700 mA	○	●	○
1000 mA	●	○	○

OPTICAL BLOCK

(Consult for more optical options)



ROAD I

Recommended distribution on tracks with extreme spacings up to 6 times the pole height

ROAD II

Recommended layout for roadways with a track width similar to the height of the pole

ROAD III

Recommended layout for roadways with up to two lanes with spacings up to 4 times the pole height.

ROAD IV

Recommended distribution on tracks with high clearances of up to 5 times the height of the pole

URBAN 360

Recommended distribution for medium-height omnidirectional lighting, such as parks and squares

* Specifications are subject to change



CASTILLA Y LEÓN
CUELLAR CITY COUNCIL (SEGOVIA)
Installation of Hispaled's FERNANDINO luminaires.